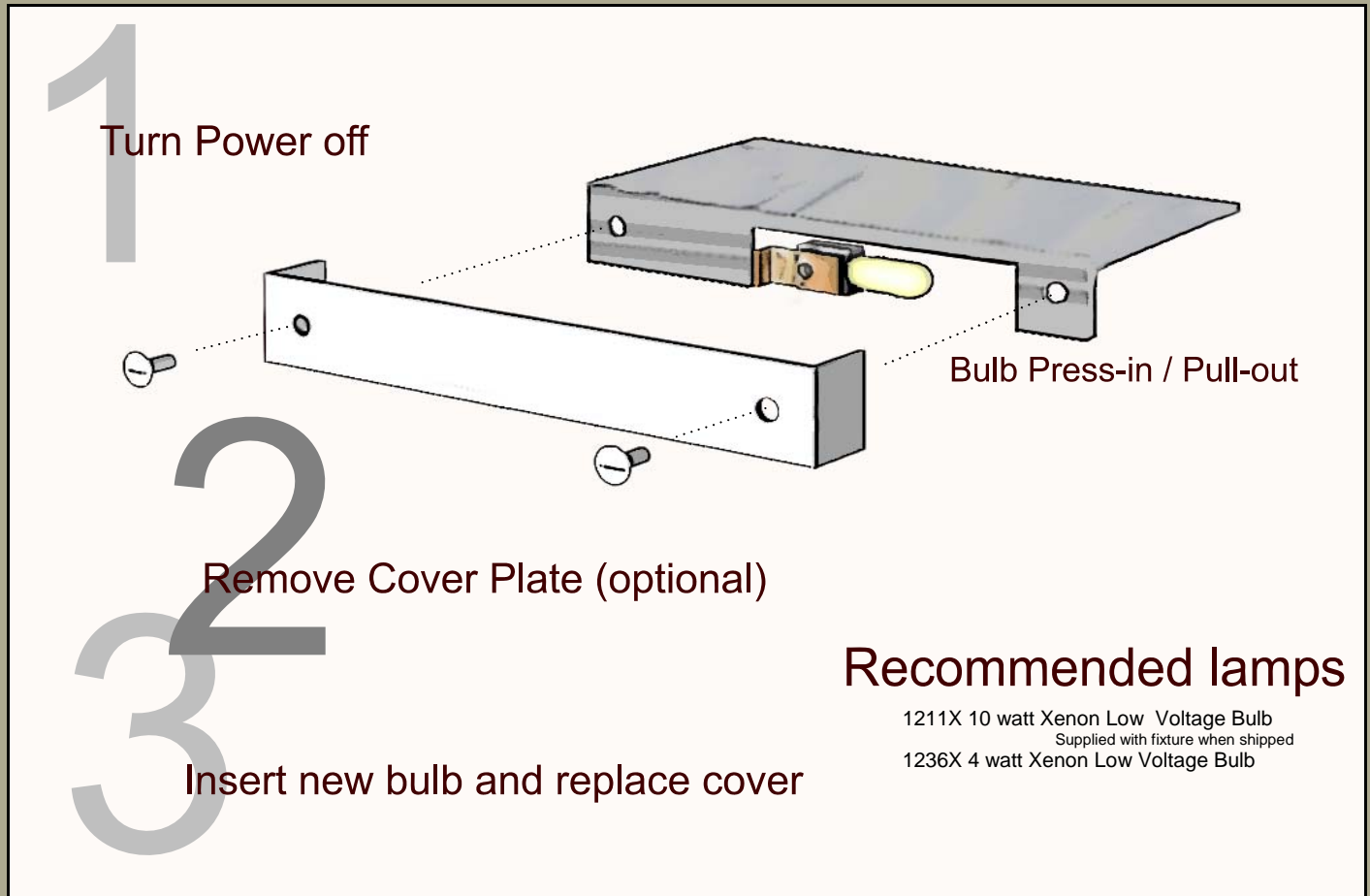


Technical

Relamping Guide IL6.xxx



Voltage effect on Lamp Life

13.2volts	2/3 rated life
12.6	3/4 rated life
12.0	as rated
11.5	2x rated life
11.0	3x rated life

(approximate values, actual life varies on many factors including but not limited to manufacturer)



How do I extend Lamp Life?

Proper voltage is one of the major factors in extending lamp life. Typically, bulbs are rated for useful life assuming a supply of 12 volts.

The only sure way to regulate voltage, due to inconsistency of transformers and cabling requirements, is to use a voltmeter. Test first and last fixture, the goal is to be from 10 to 11 volts at both. Simply, reducing the voltage will enhance the lamp life.